

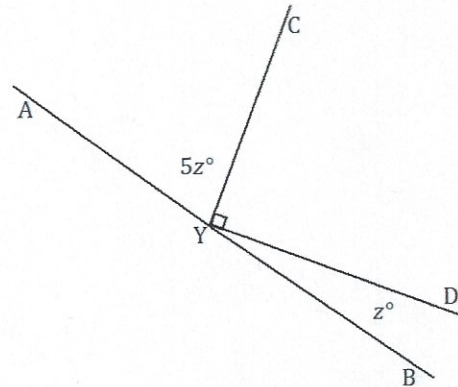
Name \_\_\_\_\_

Date \_\_\_\_\_

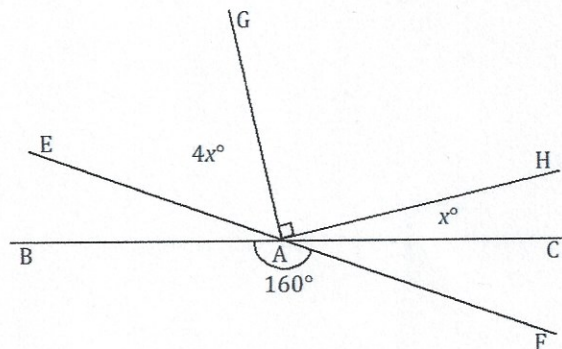
## Lesson 3: Solving for Unknown Angles Using Equations

### Exit Ticket

- Two rays have a common vertex on a line. Set up and solve an equation to find the value of  $z$ . Find the measurements of angles  $\angle AYC$  and  $\angle DYB$ .



- Two lines meet at the common vertex of two rays. Set up and solve an equation to find the value of  $x$ . Find the measurements of angles  $\angle CAH$  and  $\angle EAG$ .



Name \_\_\_\_\_

Date \_\_\_\_\_

## Lesson 4: Solving for Unknown Angles Using Equations

### Exit Ticket

$BC$  and  $EF$  meet at  $A$ .  $AG$  and  $AD$  form a right angle. Set up and solve an equation to find the values of  $x$  and  $w$ .

